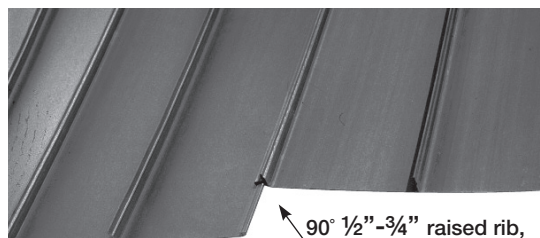
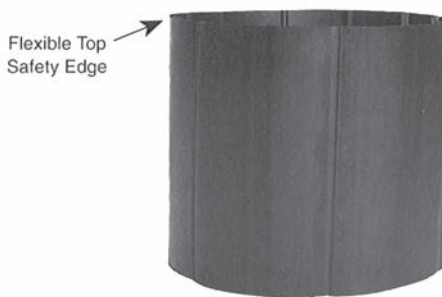


CP-Series Root Barrier Panels

Manufactured from durable polyethylene material. Century Products panels feature 90° root deflecting ribs and self-interlocking panel to panel connection that eliminates joiner strips and gluing. As well as being a root impervious barrier, the CP-Series panels direct roots downward to prevent costly damage to surrounding hardscapes and landscapes. These versatile panels can be used in linear and surround applications. The CP-Series panels are designed to reduce maintenance costs and liabilities for government agencies, cities, and private industry.



LINEAR APPLICATION

Linear Application: For root pruning of existing trees or in planting situations where one or more trees are in close proximity to hardscapes.

-OR-

Tree Well Application: For new tree planting or when the hardscape encircles the planter

Features:

- Flexible Top Safety Edge
- Versatile barrier for linear or tree well applications
- Manufactured with recycled plastic
- Raised 90° extruded root deflecting ribs
- 90° 1/2"-3/4" raised rib, side interlocking panel to panel joining system
- Adjustable anti-lift polyethylene panels which can be separated into 1' (30 cm) sections

SPECIFICATIONS

CP-SERIES: CP12-2, CP18-2, CP 24-2, CP36-2, and CP48-2.
90° 1/2"-3/4" raised rib, side interlocking panel to panel joining system.
Material: Polyethylene with ultraviolet inhibitors.
Thickness: 0.085"

MATERIAL	Polyethylene	
THICKNESS	0.085"	
PROPERTIES	ASTM TEST METHOD	VALUE POLYETHYLENE COPOLYMER
Tensile Stress @ Yield	D638	4100 TO 4300 PSI
Elongation @ Break	D638	40%
Tensile Modulus of Elasticity	D638	150,000 PSI
Flexural Stiffness	-	-
Cantilever Beam	D747	125,000 PSI
Tensile Impact	D1822	50Ft. lbs/in ²
Environmental Stress	-	-
Crack Resistance	D1693	1 Hr.
Hardness, Shore D	D2240	68

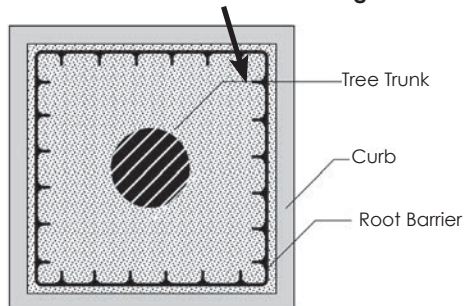
U.S. Standard

For Technical or Field Support, please call: 714.632.7083

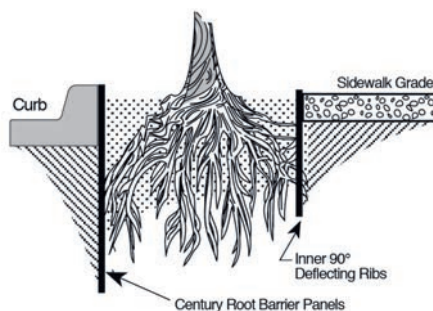
Tolerances may vary in order to maintain the integrity of post-consumer materials, and assure the material structure. We make no other warranties, express or implied, and specifically disclaim the warranty of merchantability or fitness for a particular purpose.

TREE WELL APPLICATION

Raised 90° Extruded Root Deflecting Ribs



LINEAR APPLICATION



CP-SERIES Root Barrier Panels

Century CP-Series Panels are pre-assembled in 2' (61 cm) long segments which can be combined to create various lengths of barrier to fit your application.

I. SPECIFICATIONS

- The root barrier shall be **CP-Series** manufactured by Century Products, 1144 North Grove St., Anaheim, CA 92806, (714)632-7083, or approved equivalent
- The barriers are black, extruded, modular panels manufactured using recycled polyethylene plastic with ultraviolet inhibitors and 0.085" (2.16 mm) in thickness. Each panel has vertical 90° extruded root deflecting ribs protruding ½"-¾" in height. The ribs have a minimum thickness of 0.085" (2.16 mm) and are placed 6" (15 cm) apart. An integrated 90° ½"-¾" raised rib, interlocking panel to panel joining system provides for an instant assembly by sliding one panel into another.

II. INSTALLATION

- The specified number of panels shall be joined together and placed along hardscapes to create a linear style planting application or connected to contour the tree well/planter.
- Always install the panels 1"-2" above grade to avoid root penetration above the barrier. (When adjacent to concrete, top of root barrier must be 1/2" above grade)
- Prepare your installation as depicted in illustrations. (Assemble panels as shown in Figure 1.)
- Recommended for linear or tree well applications. Back fill with existing native soil. If necessary for drainage, use gravel or crushed rock. Avoid backfill less than 3/4" or greater than 1 1/2". Finish to grade. Do not distort barrier during installation.
- Technical Questions? Call Century Products at 714. 632.7083 for assistance.

